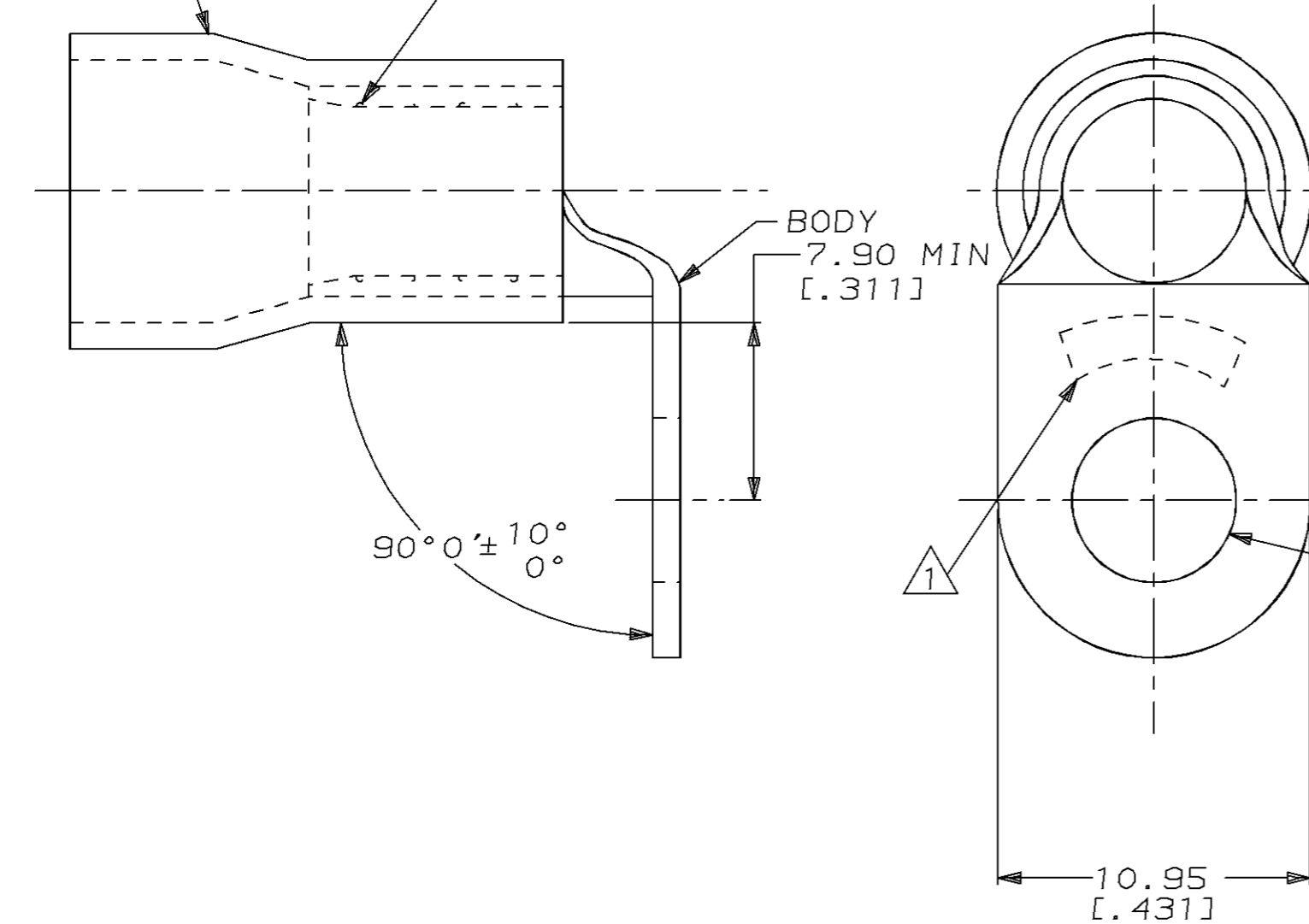


THIS DRAWING IS UNPUBLISHED. RELEASED FOR PUBLICATION, 19
 © COPYRIGHT 19 BY AMP INCORPORATED. ALL INTERNATIONAL RIGHTS RESERVED.

LOC	DIST	P	F	REVISIONS				
G	14			ZONE	LTR	DESCRIPTION	DATE	APPD
					D	REV PER 0720-0751-95	29SEP95	ME

SLEEVE DIMPLED SURFACE



AMP WIRE RANGE	RU FILE E13288	LR7189 Certified
8 AWG STRANDED	8 AWG STRANDED	8 AWG STRANDED

1. STAMP AMP 8* LOCATE APPROX AS SHOWN
2. TONGUE MATERIAL THK 1.02±0.08 [0.040±0.003]
3. WIRE INSULATION DIA 9.14 [0.360] MAX

5.00±0.08
 [0.197±0.003] DIA
 (FOR #10 STUD)

100	LOOSE PC	55654-1
QTY	PACKAGE TYPE	PART NO

**AMP INCORPORATED
 CUSTOMER SERVICE SYSTEMS**

MAX RECOMMENDED OPERATING TEMPERATURE:

90°C

VOLTAGE RATING:
 600 V MAX

CIRCULAR MIL AREA:
 6.64-10.54mm² [13, 100-20, 800]
 STRANDED

THIS DRAWING IS A CONTROLLED DOCUMENT FOR AMP INCORPORATED. IT IS SUBJECT TO CHANGE AND THE CONTROLLING ENGINEERING ORGANIZATION SHOULD BE CONTACTED FOR THE LATEST REVISION.

DO NOT SCALE PRINT. UNLESS SPECIFIED DIMENSIONS IN mm [INCHES] TOLERANCES ON:
 2 PLC DEC ± 0.20 [0.008]
 3 PLC DEC ± -
 ANGLES ± -

MATERIAL
 COPPER PER ASTM B-152
 PVC, COLOR: RED

FINISH
 TIN PLATE
 PER MIL-T-10727

DR 10-12-93
 S.S. GOULDEN

CHK 10-12-93
 R. HERSEY

APPD 10-12-93
 B. BARE

APPD 10-12-93
 M. ELLIS

PRODUCT SPEC
 NOT AVAILABLE

APPLICATION SPEC
 NOT AVAILABLE

WEIGHT -

AMP AMP Incorporated
 Harrisburg, PA 17105-3608

NAME
 TERMINAL, RING TONGUE-BENT 90°,
 PLASTI-GRIP, WIRE SIZE: 8 AWG

SIZE	CAGE CODE	DRAWING NO
B	00779	C-55654

SCALE	SHEET
NTS	1 OF 1